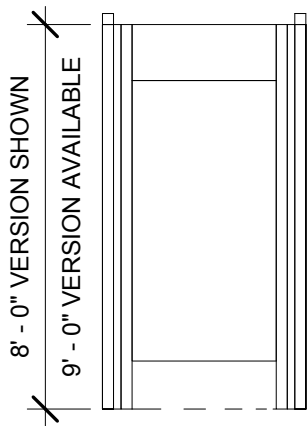
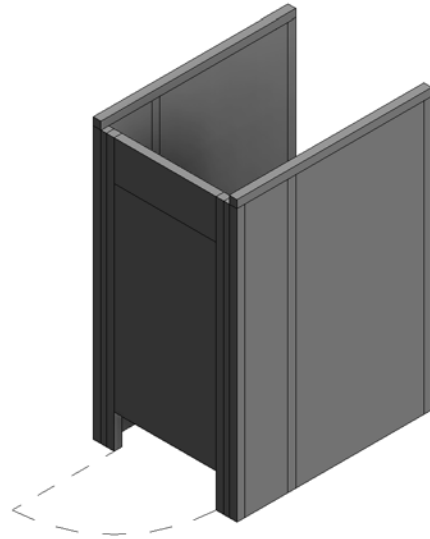
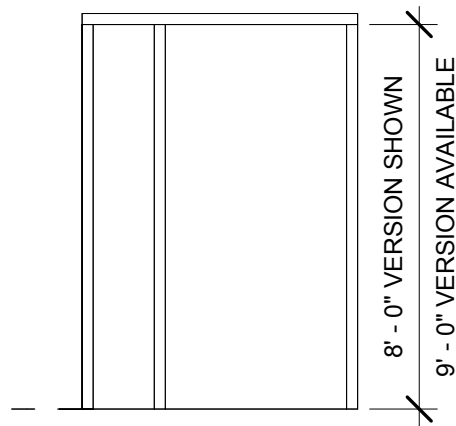


PLAN



FRONT ELEVATION



SIDE ELEVATION



www.madixinc.com

**MADIX - REVIT
DRESSING
ROOM**

TUBE LINE WALL MOUNT, STARTER

Project number 18233

Date 01.07.2019

Drawn by PM

Checked by BS

TLWM S

Scale 1/4" = 1'-0"